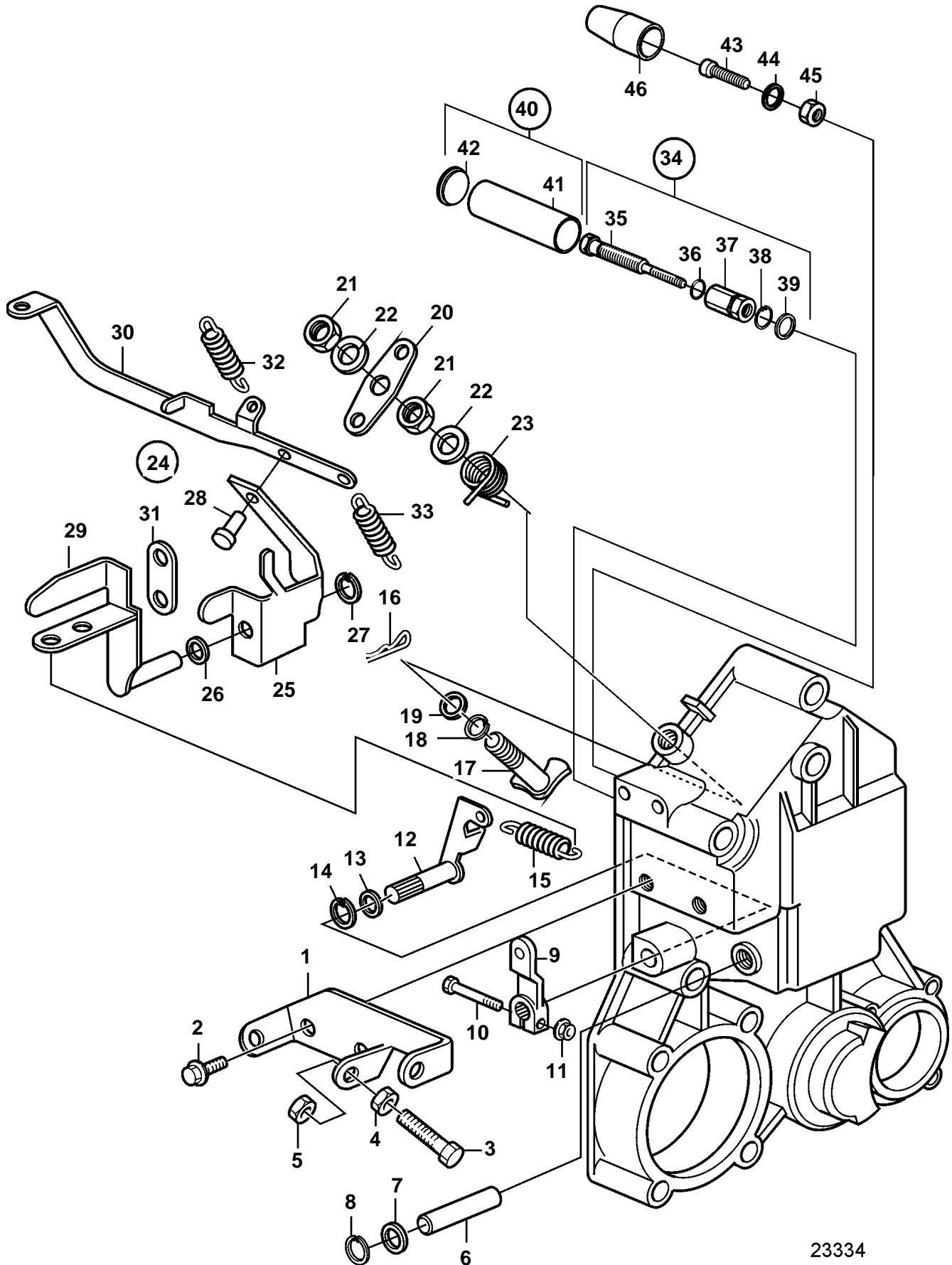


D2-55A, D2-55B, D2-55C



23334

D2-55A, D2-55B, D2-55C

| REF | PART NO. | QTY | DESCRIPTION | NOTES |
|-----|----------|-----|-------------|-----------|
| 1 | 3580042 | 1 | Stay | |
| 2 | 3580581 | 2 | Screw | |
| 3 | | 1 | Screw | |
| 4 | 955781 | 1 | Nut | |
| 5 | | 1 | Nut | |
| 6 | 3583759 | 1 | Shaft | |
| 7 | 3580040 | 2 | O-ring | |
| 8 | 3580041 | 1 | Lock ring | |
| 9 | 3580036 | 1 | Lever | |
| 10 | 3580037 | 1 | Screw | |
| 11 | 945407 | 1 | Flange nut | |
| 12 | 3580034 | 1 | Arm | |
| 13 | 3580035 | 1 | O-ring | |
| 14 | 3580030 | 1 | Lock ring | |
| 15 | 3819063 | 1 | Spring | (3580376) |
| 16 | 3580047 | 1 | O-ring | |
| 17 | 3580045 | 1 | Arm | |
| 18 | 3580046 | 1 | Lock ring | |
| 19 | 3580047 | 1 | O-ring | |
| 20 | 3580051 | 1 | Lever | |
| 21 | 955782 | 2 | Nut | |
| 22 | 191172 | 2 | Washer | |
| 23 | 3580048 | 1 | Spring | |
| 24 | 3583736 | 1 | Lever | |
| 25 | | 1 | • Lever | |
| 26 | 3580031 | 1 | • Washer | |
| 27 | 3580030 | 1 | • Lock ring | |
| 28 | 3583760 | 1 | • Pin | |
| 29 | | 1 | Lever | |
| 30 | | 1 | Lever | |
| 31 | | 1 | Washer | |
| 32 | 3580735 | 1 | Spring | |
| 33 | 3580058 | 1 | Spring | |
| 34 | 3583770 | 1 | Screw | |
| 35 | | 1 | • Screw | |
| 36 | 3583772 | 1 | • O-ring | |
| 37 | | 1 | • Nut | |
| 38 | | 1 | • Lock ring | |
| 39 | 3580087 | 1 | • Gasket | |
| 40 | 3584083 | 1 | Sleeve | |
| 41 | | 1 | • Sleeve | |
| 42 | | 1 | • Cap | |
| 43 | 3583778 | 1 | Screw | |
| 44 | 3580087 | 1 | Gasket | |
| 45 | 3583779 | 1 | Nut | |
| 46 | 3583777 | 1 | Cap | |